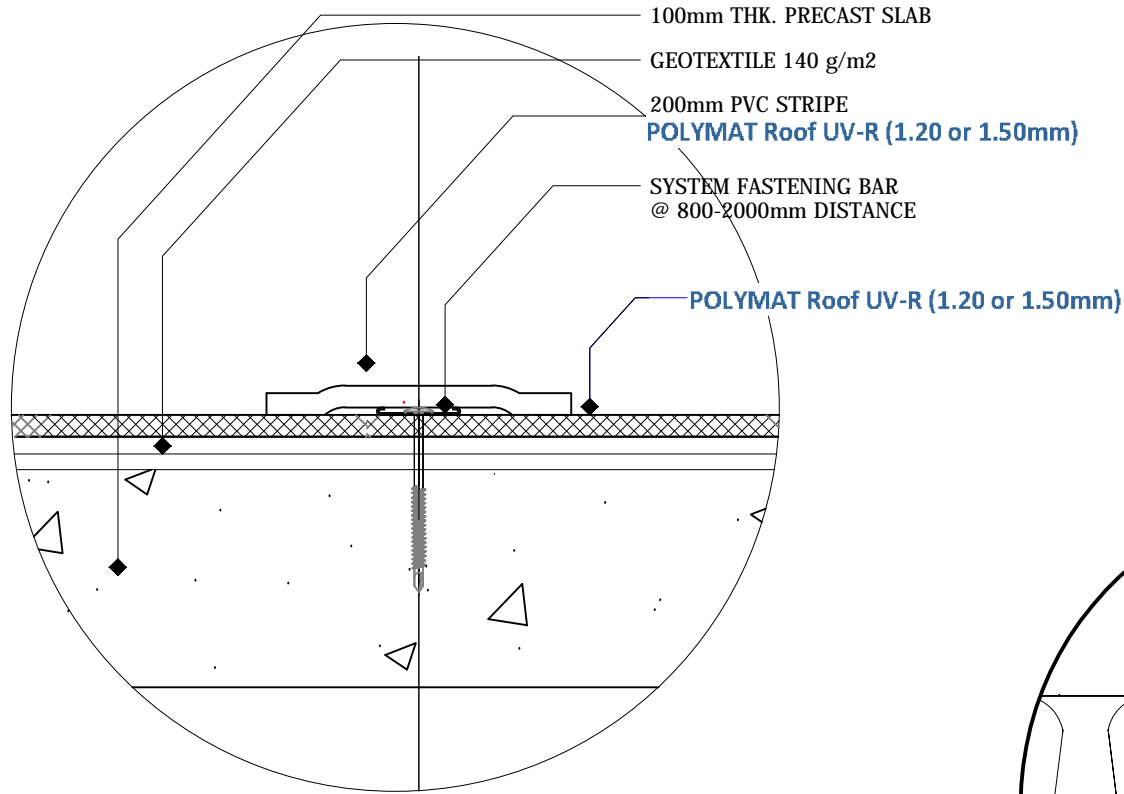
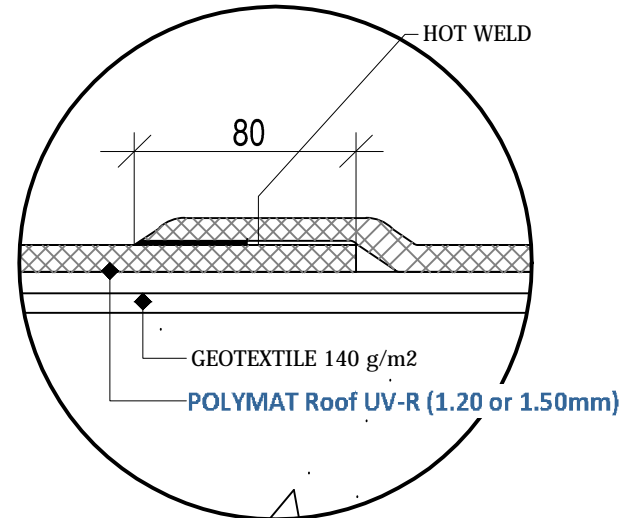


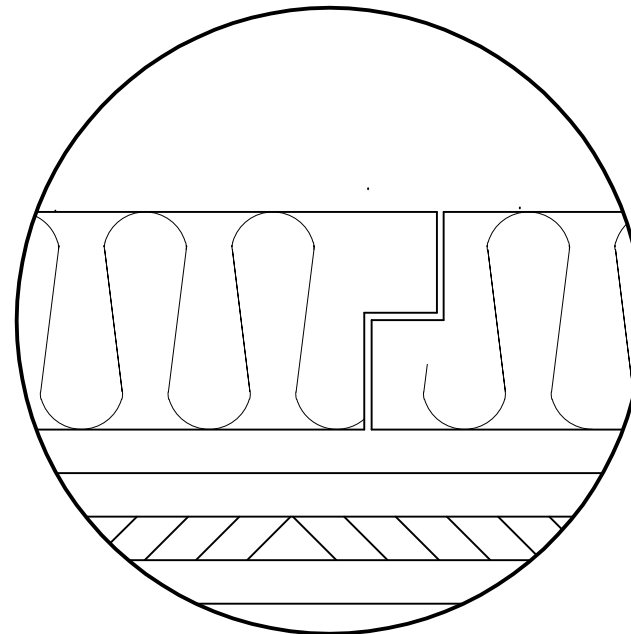
POLYMAT ROOF



SYSTEM BAR FASTENING
 (SELF DRILLING SCREWS) OF
POLYMAT Roof UV-R (1.20 or 1.50mm) TOP LAYERS



OVERLAP DETAIL



SHIP LAP JOINTS
 THERMAL INSULATION BOARDS
 (CROSS DIRECTION)



BITUMAT COMPANY LIMITED

P.O. Box 7487, Dammam 31462, Kingdom of Saudi Arabia
 Tel. No. (+966-13) 8121210 / 8121213
 Fax No. (+966-13) 8121190
 Google Earth Address: 2608 34327-6935
 Website: www.bitumat.com

THIS DRAWING IS FOR ILLUSTRATIVE PURPOSES ONLY OF PROFILES SHOWN IN OUR OFFICIAL CATALOGUE. ALL PROFILES MUST BE VERIFIED AND APPROVED BY THE AUTHORIZED REPRESENTATIVE OF BITUMAT BEFORE ANY ACTION IS TAKEN.

DRAWING TITLE	SAUDI RAILWAY (SAR) PROJECT PASSENGER STATION, RIYADH KINGDOM OF SAUDI ARABIA
SHEET CONTENTS :	WATERPROOFING SYSTEM DETAILS

REMARKS	SCHEME 2 MS4 SPECIAL APPLICATION
---------	-------------------------------------

REVISION	0.0	DATE :
DRAWN BY :		CHECKED BY :
		DATE :
		REF. NO.

DWG. No.	S2-DD-2.b
----------	-----------